



Molift Rail System

Products and components
Catalogue 2019

 **etac**[®]

Ergonomic solutions that set the standard

Molift offers a comprehensive range of flexible ergonomic solutions within moving and handling, for people with reduced mobility. Our long-standing tradition of setting new standards, in consultation with healthcare professionals, has enhanced the quality of life for users while protecting carers.

Benchmarking value and expertise

Family members, healthcare professionals and users have first-hand knowledge of the risks of moving and lifting, so using the most efficient and safe product is of paramount interest for all involved.

Molift products offer value for money, optimise user mobility and enhance their quality of life. The products require minimal physical exertion from healthcare professionals which, in turn, promotes the reduction of work-related injuries and increase carers' safety and productivity. These safe and efficient methods afford carers the opportunity to devote more time to personal care.

Affordable safety

Molift assists healthcare professionals to select the best solution to meet their users' needs and create a safe and effective workplace environment for carers. Well-researched expert advice, analytical tools and coordinated installation services contribute to Molift products and systems being integrated seamlessly into all types of environments.

However, our collaboration doesn't stop there! We also offer professional training that allows carers to not only select the most appropriate solution but also help them to continue to operate the product in the most effective way.

Once in operation, carers can feel safe in the knowledge that Molift's comprehensive maintenance service means that they will have access to a technical support team when required.

A history of safety, design and expertise

Molift, a brand in the Etac Group, has developed products and services in the assistive technology industry since the 1980's. Molift's had the foresight to consult healthcare professionals for expert advice and to then transfer that knowledge into the production of a range of hoisting and transfer solutions. We aim to continue to set new industry standards for functionality, durability, cost effectiveness and even design. Indeed, throughout our long and rich history, we have received numerous international design awards.





Our standards

Molift products' manufacturing unit, Etac Supply Gjovik AS, is certified in accordance to ISO standards. This affects how we drive and safeguard the quality of our products and our processes.

Systems for quality assurance

We are certified according to ISO 9001, which means that all our work processes, from product development and production to the products and their delivery meets the most stringent quality requirements.

Traceability

Molift meets all the requirements of ISO 13485 with regard to traceability of our products. All our hoists and slings have bar codes and unique serial numbers to facilitate traceability for our distributors on their market.

Environmental requirements

We work continuously to minimise the impact of our operation on the environment, and we are certified according to ISO 14001. This standard contains legal requirements on raw materials, emissions, recycling and power consumption.

Content

Molift ceiling hoists.....	4
Rail system components	8
Free standing gantry systems	13
Trolleys	14
In rail charging.....	15



Molift ceiling hoists

The lifting function on all Molift Air hoists is performed by a battery-driven motor. All hoist types run on a rail system with a 'smart quick release' function which makes it very easy to engage/disengage the hoist.

Recharging of Molift Air hoists is either by manual means or by in-rail charging, which is performed automatically across the rail layout.

Molift Nomad hoists can only be charged manually.

All Molift hoists have built-in software as standard (the 'Service Tool'), enabling data gathering on the use of the hoist. The software can provide service alerts and technical trouble-shooting, as well as allowing verification and adjustment of key parameters.



Molift Air 200

Max. hoisting capacity 205 kg



Molift Air 350

Max. hoisting capacity 350 kg



Molift Air 500

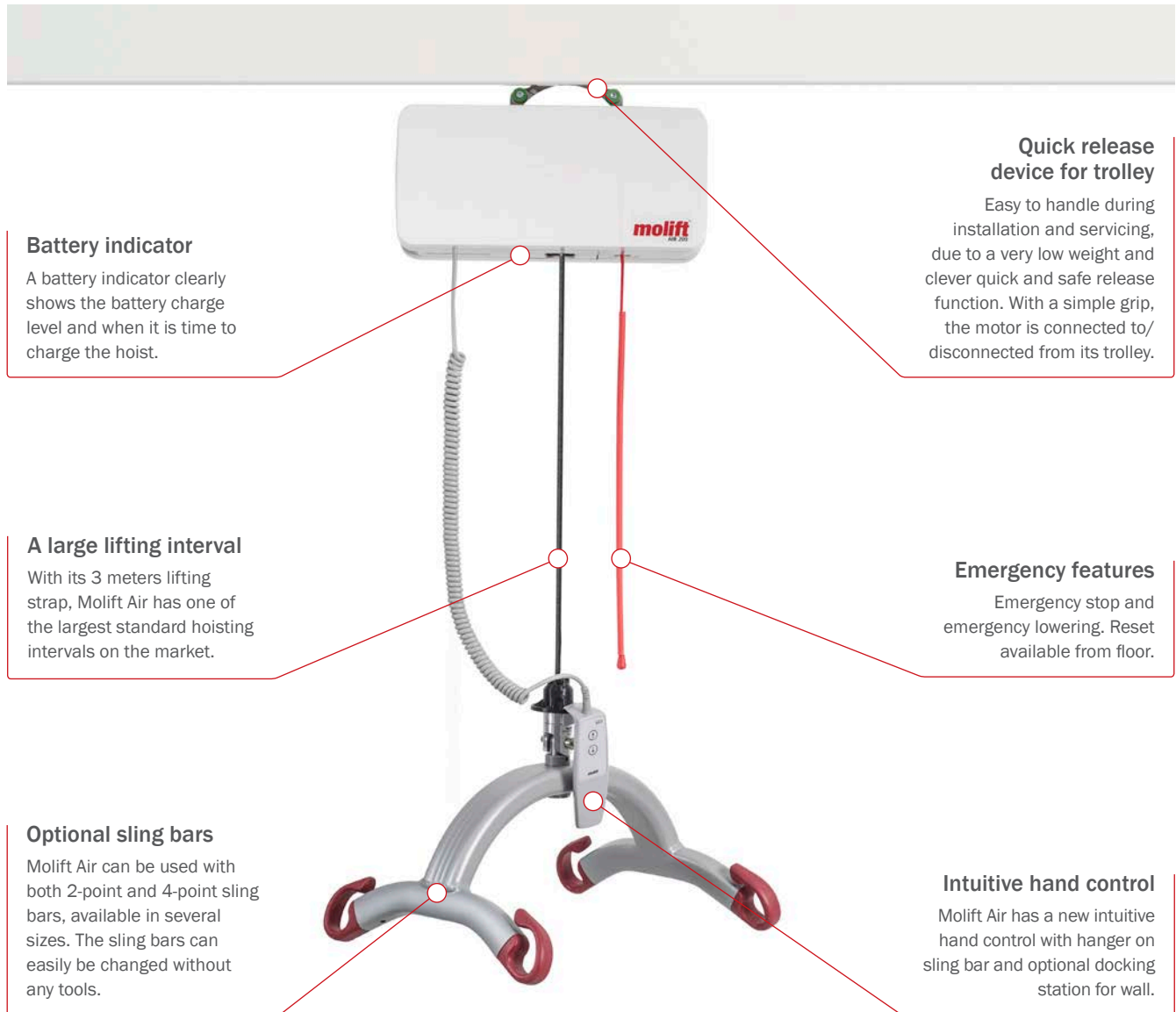
Max. hoisting capacity 500 kg



Molift Nomad

Max. hoisting capacity 160-255 kg

Model	Including	Item no.	Model	Including	Item no.
Molift Air 200	SLA Battery	26200	Molift Nomad 160	NiMH Battery	22160
Molift Air 200	Lithium Battery	26201	Molift Nomad 205	NiMH Battery	22205
Molift Air 350	SLA Battery	26350	Molift Nomad 230	NiMH Battery	22230
Molift Air 350	Lithium Battery	26351	Molift Nomad 255	NiMH Battery	22255
Molift Air 500	SLA Battery	26500	All models includes hoist, handcontrol and charger		



Battery indicator

A battery indicator clearly shows the battery charge level and when it is time to charge the hoist.

Quick release device for trolley

Easy to handle during installation and servicing, due to a very low weight and clever quick and safe release function. With a simple grip, the motor is connected to/disconnected from its trolley.

A large lifting interval

With its 3 meters lifting strap, Molift Air has one of the largest standard hoisting intervals on the market.

Emergency features

Emergency stop and emergency lowering. Reset available from floor.

Optional sling bars

Molift Air can be used with both 2-point and 4-point sling bars, available in several sizes. The sling bars can easily be changed without any tools.

Intuitive hand control

Molift Air has a new intuitive hand control with hanger on sling bar and optional docking station for wall.

Facts	Molift Air 200	Molift Air 350	Molift Air 500	Molift Nomad
Maximum user weight (SWL)	205 kg	350 kg	500 kg	160-255 kg
Total weight (with SLA battery)	8.6 kg	8.6 kg	15kg	6.8 kg
Length	360 mm	360 mm	360 mm	522 mm
Width	190 mm	190 mm	250 mm	200 mm
Height	195 mm	195 mm	195 mm	330 mm
Battery 26.4 V NiMH 2.2 Ah	-	-	-	X
Battery 26.4 V SLA 2.6 Ah	X	X	X	-
Battery 24V Litium	X	X	-	-
Battery charger	100-240 V AC, 40-60 Hz	100-240 V AC, 40-60 Hz	100-240 V AC, 40-60 Hz	100-240V AC 50-60 Hz max 0,9A
Battery charge time	6 hrs	6 hrs	6 hrs	3 hrs
Motor	24 V DC	24 V DC	24 V DC	24V DC
Hoisting interval	3000 mm	2600 mm	3000 mm	2000 mm
Hoisting speed 75 kg	60 mm/sec	60 mm/sec	30 mm/sec	30 mm/sec
Expected lifetime	30 000 lifts SWL/10 years	30 000 liftsw SWL/10 years	30 000 lifts SWL/10 years	30.000 lifts SWL/10 years
Molift Service Tool (software)	Included	Included	Included	Included
Emergency lowering	Mechanical/Electrical	Mechanical/Electrical	Mechanical/Electrical	Electrical
Emergency stop	Yes. Reachable from floor	Yes. Reachable from floor	Yes. Reachable from floor	Yes
Protection class; hand control & hoist motor	IPX4	IPX4	IPX4	IPX4



Accessories



Molift Air scale class III

For Molift Air 200/205/300/350.....1840000



Molift Nomad scale class III

For Molift Nomad1100235



Room to room transfer

Unit for Molift Air2510295

Sling bars

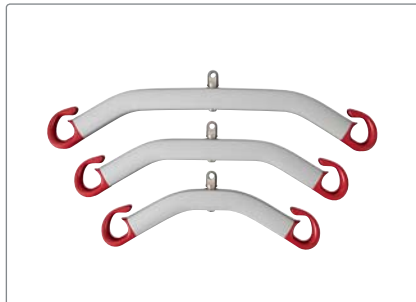
Exchangeable sling bars for Molift Air



4-point sling bars

SWL 350 KG

- 4-pt 350 mm Small2530210
- 4-pt 450 mm Medium2530211
- 4-pt 550 mm Large2530212
- 4-pt 650 mm Extra large2530213



2-point sling bars

SWL 350 kg

- 2-pt 350 mm Small2530115
- 2-pt 450 mm Medium2530120
- 2-pt 550 mm Large2530125



8-point sling bar

For transfer situations with a fabric stretcher.
SWL 300kg

- 8-pt sling bar One size2140003



4-point pig tale sling bar

Bariatric, SWL 500 kg

- 4-pt 550x550 mm, Large2510435



2-point pig tale sling bars

SWL 350 kg

- 2-pt 350 mm Small1830033
- 2-pt 450 mm Medium1830032
- 2-pt 550 mm Large1830031





Rail system components



Profiles, lengths

Type	Height	Item no. 3 m	Item no. 4 m	Item no. 5 m	Item no. 6 m	Item no. 7 m	Item no. Tailor made*
Rail CC/P	62 mm	1109001-3m	1109001-4m	1109001-5m	1109001-6m		1109001
Rail OC/P	62 mm	1109003-3m	1109003-4m	1109003-5m	1109003-6m		1109003
Rail DC/P	62 mm	1109005-3m	1109005-4m	1109005-5m	1109005-6m		1109005
Rail OC/P	112 mm	1109009-3m	1109009-4m	1109009-5m	1109009-6m		1109009
Rail OC/P	142 mm	1109011-3m	1109011-4m	1109011-5m	1109011-6m	1109011-7m	1109011
Rail W/P	85 mm	1109160-3m	1109160-4m	1109160-5m	1109160-6m		1109160

*Tailor made rails can be ordered when a specific length is required. Remember to specify required lengths of each article.



Profiles, Curves

Type	Height	Item no. 30°	Item no. 45°	Item no. 60°	Item no. 90°
Rail CC/P	62 mm	1109105	1109106	1109107	1109108
Rail OC/P	62 mm	1109135	1109136	1109137	1109138
Rail DC/P	62 mm	1109145	1109146	1109147	1109148



Telescope bracket set

- 80-125 mm 1109700
- 120 -200 mm1109710



Support Telescope

- Ceiling Brackets 1109845

Tubular cover and ceiling flange is ordered separately when required



Telescope bracket set

- 190 - 305 mm 1110120
- 290 - 400 mm 1110025



Tubular cover and flange

- Length 500 mm 1110142
- Flange 1109826

Telescope bracket set

- 750-1000 mm 1100040
- 950-1200 mm 1110045
- 1150-1400 mm 1110050
- 1350-1600 mm 1110055
- 1550-1800 mm 1110060
- 1750-2000 mm 1110065



Rail attachments accessories

- T-Profile washer 1109307
- Multibolt 20 mm 1109306
- Multibolt 40 mm 1109432



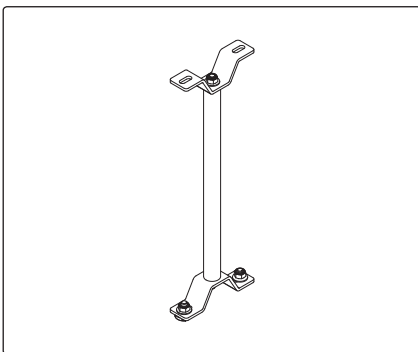
Mounting kit

- Screw set for telescope bracket 1109740
- Multibolt 20 mm kit 2520221
- Multibolt 40 mm kit 1109435



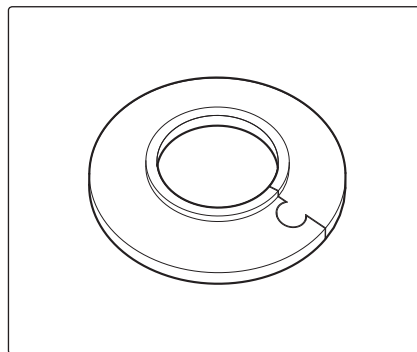
Ceiling bracket set

- Ceiling bracket set 40 mm 1109695



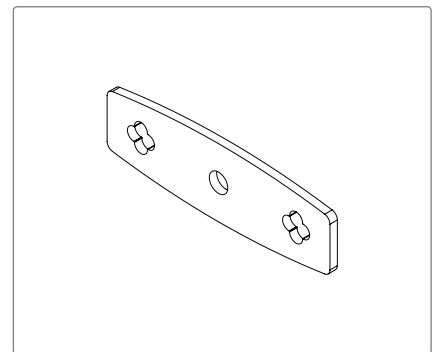
Threaded rod w/brackets

- M10 Set 1 Meter 1109910
- M10 Set 2 Meter 1109912
- 3/8" Set 36 Inches 1109940
- 3/8" Set 72 Inches 1109942



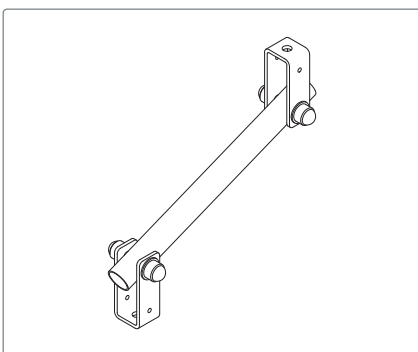
Accessory for threaded rod

- Sleeve LKF62/28,5/7 1120338



Accessory for threaded rod

- Mounting plate for wood rafters..... 1109696



Support set

- M10 Support Set 1 Meter 1109920
- M10 Support Set 2 Meter 1109922
- 3/8" Support Set 36 Inches..... 1109950
- 3/8" Support Set 72 Inches..... 1109952



Joint mounting kit Short

Used when the bracket is placed above the rail joint.

- Joint mounting kit short..... 1109350



Joint mounting kit Long

Used when the bracket is placed beside the rail joint.

- Joint mounting kit long 1109450



End stoppers

End stop for motor trolley 1109410
 End stop for traverse trolley..... 1109411



End caps

End cap rail H62 1109340
 End cap rail H112 1109341
 End cap rail H142 1109342



Upright support H-rail assembly

Lenght 2500 mm 1109220
 Lenght 3500 mm 1109225



Upright support W-rail assembly

Lenght 2500 mm 1109210
 Lenght 3500 mm 1109215



Rail modification for traverse switch

Rail RH62 OC..... 1109671
 Rail RH142 OC 1109672



Rail switch

Rail switch 1109066



Wall bracket unit

Bracket.....1109259



Installation example 1



Installation example 2



Installation example 3



Installation example 4



Installation example 5



Free standing gantry systems

Molift Quattro - A free standing room covering gantry system



Molift Duo - A free standing single gantry system



Product name	Rail length	Item no.
Molift Quattro	3000 x 3000 mm	1600030
Molift Quattro	4000 x 4000 mm	1600035
Adjustable foot		1610200

Facts

Height 2190 mm (2240 - 2290 mm with adjustable foot) The length of the posts are fixed. The lowest allowed distance from floor to ceiling is 2.40 meters.
Maximum user weight (SWL) 300 kg

Product name	Rail length	Item no.
Molift Duo 2000	2000 mm	1600013
Molift Duo 2500	2500 mm	1600015
Molift Duo 3000	3000 mm	1600017
Molift Duo 3500	3500 mm	1600019

Facts

Adjustable height: min 2250 mm/max 2550 mm
Fixed lengths
Maximum user weight (SWL) 300 kg



Trolleys



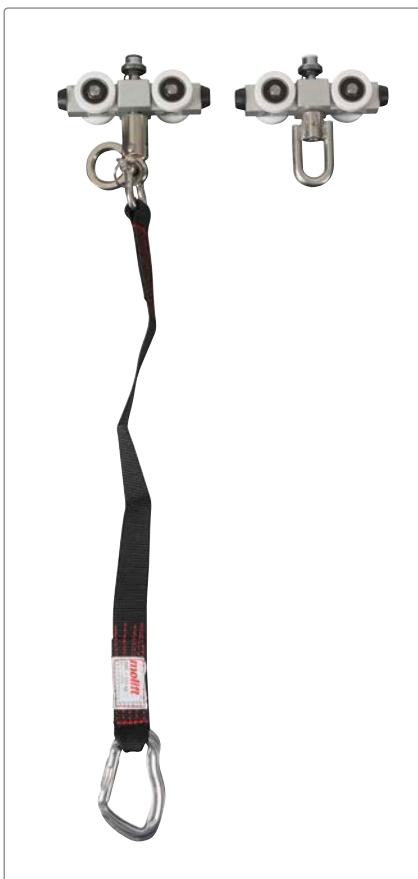
Trolley - Molift Air
Trolley Molift Air 200.....2520000



Trolley - Molift Air
Trolley Molift Air 500.....2520031



Propulsion trolley - Molift Air
Molift Air 205/300/350.....2500103



Trolley - Nomad for climbing
Length 500 mm 1109112-50
Length 650 mm 1109112-65
Length 800 mm 1109112-80
Trolley - Nomad
Standard trolley..... 1109109



Travers trolley
Set including 2 trolleys (for boxed traverses use 1109592)
Traverse trolley set, high 1109580
Traverse trolley set, medium 1109590
Traverse trolley set, low..... 1109592



Travers trolley - Curtain pass through
Set including 2 trolleys, SWL 500 kg
Trolley set CPT 1109596



Travers trolley - Wall mounted
Set including 2 trolleys, SWL 500 kg
Trolley set for RH112 1109163
Trolley set for RH142 1109166



Mounting kit - Travers trolley
Including bolts, nuts and washers
Traverse mounting kit 1109345
Traverse mounting kit, boxed 1109353

In rail charging



Standard trolley IRC

For Molift Air 205/300/3502520002



Propulsion trolley IRC

For Molift Air 205/300/3502520006



Traversal trolley IRC

Set including 2 trolleys and 1 IRC pickup

- Traversal trolley set IRC, high 1109581
- Traversal trolley set IRC, medium..... 1109591
- Traversal trolley set IRC, low1109594



Connections IRC

- Connection RH62..... 2510224
- Connection RH1122510225
- Connection RH142..... 2510226



In rail charging power supply

- Including bracket and mounting screws
- Power supply 2510224



Conductive tape IRC

- Application tool..... 2510125
- Conductive tape 2510101





“Everyone should be able to live a free and independent life
and pursue their dreams regardless of any physical circumstances”

For the latest news and continuously updated
product information – visit: www.etac.com

Etac AB
Kista Science Tower
SE-164 51 Kista, Sweden
Tel +46 371 - 58 73 30
Fax +46 371 - 58 73 90
info@etac.se www.etac.com


Creating Possibilities